

»FUTURA-mini« series

Pneumatic systems or parts of systems can be switched on and off by means of an electrical signal.
3/2-way type including silencer.
When they are switched off, the system is exhausted at the same time.

Input pressure	2.5 - 10 bar
Temperature range	-10 °C to 50 °C
Medium	Compressed air, neutral gases
Duty cycle	100 %
Pick-up power with 50 Hz AC voltage	2.2 VA
Holding power with 50 Hz AC voltage	1.6 VA
Power input	2.5 Watt with DC voltage
Protection IP	IP 65
Electrical connection	Socket coupling EN 175301-803, form C, poles 2+PE
Housing	PA66 GF60
Connecting thread	Plastic
Flow rate	2000 l/min
Flow rate measurement	At P ₂ = 6 bar and pressure drop Δ _p = 1 bar

3/2-way valve, electrically operated, with 24 V DC, 2.5 W solenoid

Art. No.	Type No.	Thread	Exhaust air	Size
142520	FUM 923	G 1/4	G 1/4	0

3/2-way valve, electrically operated, with 24 V AC, 50 Hz solenoid

Art. No.	Type No.	Thread	Exhaust air	Size
142521	FUM 923-AC	G 1/4	G 1/4	0

3/2-way valve, electrically operated, with 115 V AC, 50 Hz solenoid

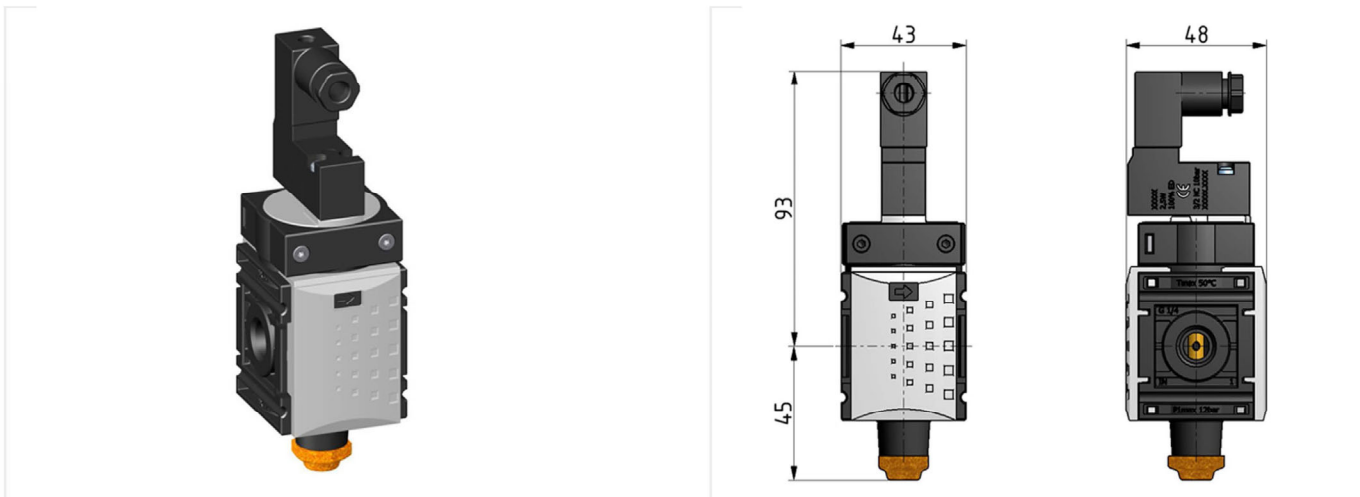
Art. No.	Type No.	Thread	Exhaust air	Size
142523	FUM 925	G 1/4	G 1/4	0

3/2-way valve, electrically operated, with 230 V AC, 50 Hz solenoid

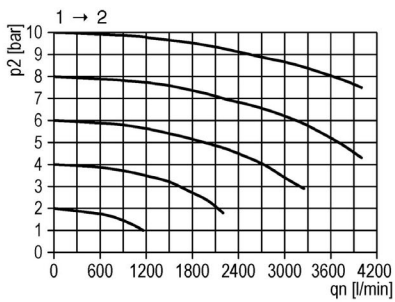
Art. No.	Type No.	Thread	Exhaust air	Size
142522	FUM 927	G 1/4	G 1/4	0

Accessories / spare parts

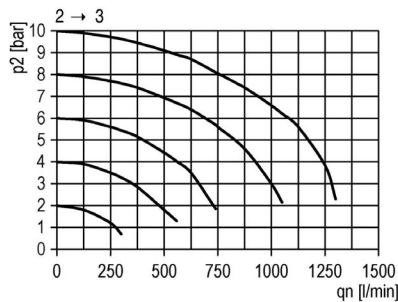
Art. No.	Type No.	Description
143105	H 848	Mounting bracket, incl. 2 screws
143010	WKM 100	Coupling package for wall mounting incl. 2 screws and O-ring
143022	KPM 100	Coupling package incl. 2 screws and O-ring
100405	568-2	Silencer
152077	WK 100-14	Wall bracket with connection thread G 1/4
100306	400-900-42	Pilot valve 24 V DC
100309	400-900-301	Pilot valve 24 V AC
100308	400-900-17	Pilot valve 230 V AC
154029	400-900-115	Pilot valve 115 V AC
100310	1920.FU	Connector type C



flow characteristic



rear exhaust



symbol

